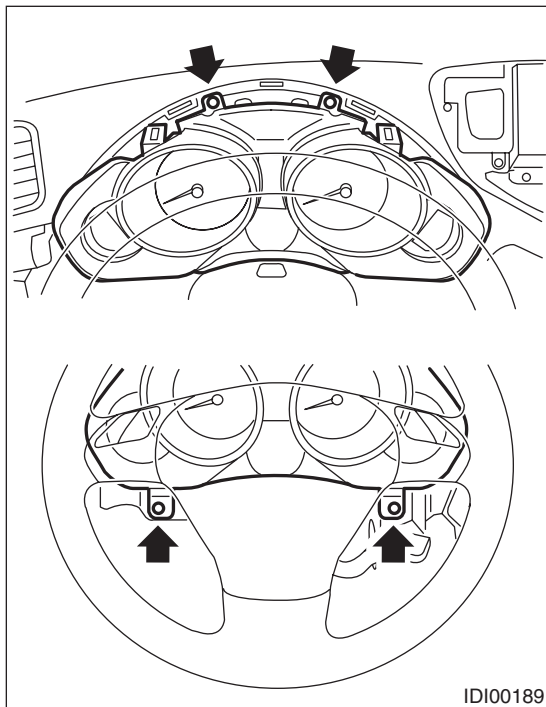


3. Combination Meter

A: REMOVAL

- 1) Disconnect the ground cable from battery.
- 2) Set the tilt steering at the lowest position.
- 3) Remove the console box. <Ref. to EI-39, REMOVAL, Console Box.>
- 4) Remove the control panel. <Ref. to AC-31, REMOVAL, Control Panel.>
- 5) Remove the instrument panel lower cover. <Ref. to EI-37, REMOVAL, Instrument Panel Lower Cover.>
- 6) Remove the console side panel. <Ref. to EI-40, REMOVAL, Center Console.>
- 7) Remove the meter visor.
- 8) Remove the screws of combination meter (two for upper side, two for lower side) and pull the combination meter.



- 9) Disconnect the connector in the rear side of combination meter to remove meter.

CAUTION:

- Be careful not to damage the meter or instrument panel.
- Pay particular attention to avoid damaging the meter glass.

B: INSTALLATION

CAUTION:

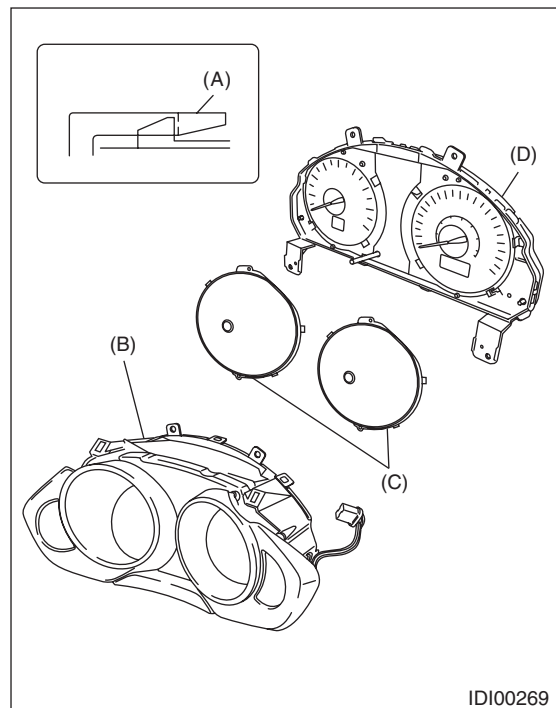
- Make sure the electrical connector is connected securely.
- Make sure that each meter operates normally.
- When the combination meter of model with immobilizer has been replaced, be sure to perform the registration of immobilizer. Install in the reverse order of removal.

C: DISASSEMBLY

CAUTION:

- Use gloves to avoid damage and getting fingerprints on the glass surface and meter surfaces.
- Be careful not to apply excessive force to the trip knob.
- Be sure not to touch the meter indicator needle.

Disengage the claw (A), and remove the visor assembly and meter case cover (B), and cover glass (C) from the meter case assembly (D).



1. BULB REPLACEMENT

LEDs are used for all of warning lights and indicator lights of combination meters, replace the meter case assembly if faulty.

D: ASSEMBLY

Assemble in the reverse order of disassembly.